



Model PR-950



Featuring:

Serial line thermal printer with a long service life stationary print head

Prints alphanumeric characters in normal or bold type fonts, silently and at a high speed.

Plugs in directly to JMC display-type NAVTEX receivers with the interface cable supplied.

Serves as an external printer for an NT-900 printing-type NAVTEX receiver.

Software-compatible with the PR-900 dot matrix printer

Outputs printer readiness status signals for use in AIS, NBDP and other marine printing applications.

Housed in a rust-free rugged ABS plastic cabinet for reliable operation in the severe marine environment

Model PR-950

Specifications:

Print Head Type: Line thermal head

Printing Speed: Approx. 2 seconds/line

Max. No. of Printable Characters: 52*¹ characters/line

Character Font Size: 12X8 dots, 2.1 mm(H) X 1.8 mm(W)

Recording Paper: Thermo-sensitive, 112 mmX 25 m/roll (JMC-supplied standard type)

Hardware Interface: RS-232C and 8-pin I/O data ports (NMEA-0183); either port is active at a time.

Active Output Port and Level: Selectable via internal DIP-switch settings

Baud Rate: 110 and 4800, selectable via internal DIP-switch settings

Flow Control: None (@110 baud; for JMC NAVTEX), proprietary status signal in hex (@4800 baud)

Power Requirements: 24 VDC (nominal; safely operates over 11-40V range), approx. 12W (printing)

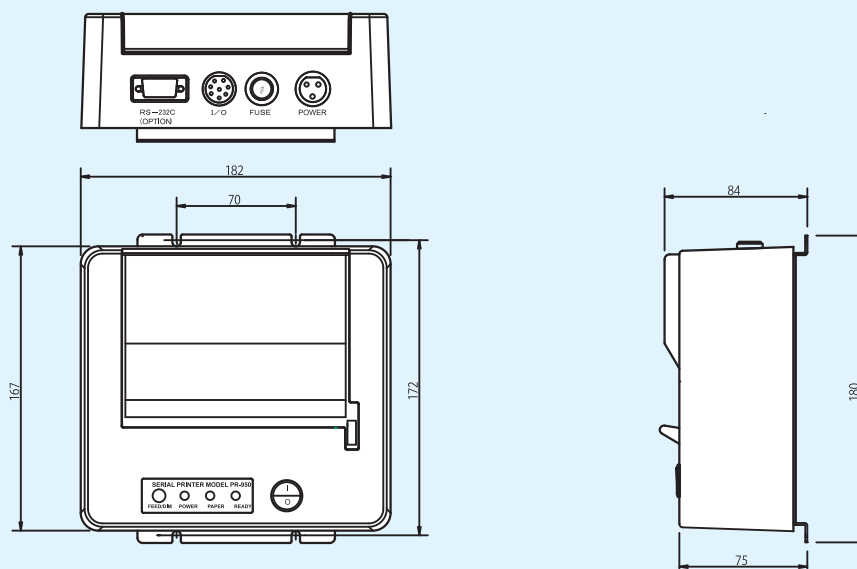
Weight: Approx. 1.5 kg (with standard paper roll installed)

Ambient Temperature Range: -15 to 55°C/ operating, 95% RH, IEC 60945 protected equipment category

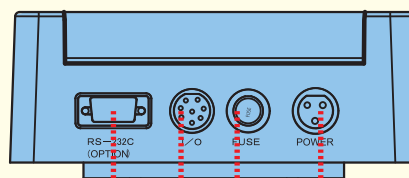
*¹: Up to 40 characters/line when interfaced with **NT-1800** and **NT-2000**.

NOTE: Specifications are subject to change without notice or obligation.

Dimensions (in mm)



PR-950 Application (Example)



*NOTE: Either RS-232C or 8-pin port on the printer can be enabled at a time by internal DIP switch settings.

*To PC or AIS/NBDP device with ASCII printable output To ship's ground

*To JMC NAVTEX receiver NT-1800/NT-2000/NT-900 To 11-40 VDC

Standard Equipment (1 pc. each, except as specified):

- PR-950 Serial Line Thermal Printer
- Power Supply Cable, 3m, terminated in 3-pin plug
- Fuse (2A, mini type), 2 pcs.
- Thermo-sensitive paper roll (112 mm X25m)
- Interface Cable, 3m, terminated in 8-pin plug and DSub-9
- User's Manual