



Model NP-90MAX



Optional Smart Antenna
M8-28 GPS/Glonass antenna



C-MAP or Navionics Micro SD card can be used

Built-in GPS Antenna as standard

Featuring:

9-inch WVGA (800 x 480 pixel) daylight-viewing (1110 nits) LED-backlit TFT color LCD

5 Screen PAGE mode are selectable: Full MAP screen, Satellite monitor screen and Engine monitor display. Fish Finder or Radar screen page are also available when interfacing optional BBFF or Radar unit

Touchscreen Full-control of NP-90PMAX Menu selection, MAP zoom function, optional Fish finder /Radar zoom and transducer selection etc. Tap, Long tap, Pan for pinch in/out, rotate, swipe, two figure swipe, three fingers swipe control are available

Digital rotary encoder is possible to easy and quickly control of desired menu or MAP zoom in/out or optional fish finder range scale selection radar screen control operation

Customize function keys of F1, F2 and F3 are user defined shortcut customized by menu setting.

Databox window customization is possible to select user favorite 6 combination databox from 31 selectable data menu, Fix position, Bearing, SOG, COG, Steering, TTG, Date and time etc.

AIS target overlay on MAP display and CPA alarm and TCPA alarm can be set to closest AIS target.

Multi-Language menu selection for English, Italian, French, Spanish, Greek, Croatian, Turkish, Japanese, Simplified Chinese, Traditional Chinese, Portuguese, Norwegian, Finnish

Large capacity of Waypoint and Event mark for marking important point can be displayed and saved to user micro SD card memory

Built-in wireless LAN facility make possible to connect Wi-Fi spot to control display screen using Smart phone free application of "MIRROR CONTROL" or captaincloud.com.

Card slot is used for C-MAP MAX /4D Cartography or Navionics micro SD card or user micro SD card

Total 22 NMEA0183 Output sentences are selectable by setting menu; AAM, APB, BOD, BWR, DBT,DPT, GGA, GLL, GNS, GSA, GSV, HDG, HDT, MTW, MWV, RMA, RMB, RMC, RTE, THS, TLL, VDR, VHW, VTG, WPL, XTE, ZDA

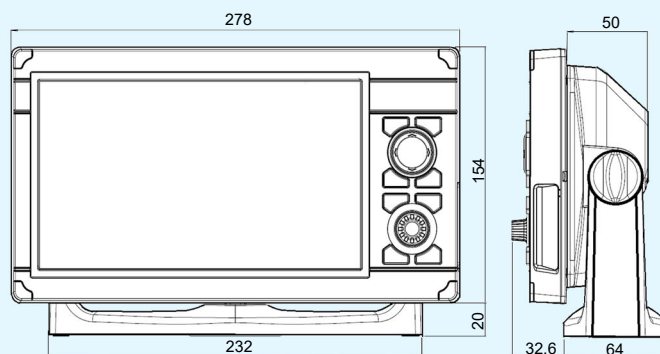
Model NP-90MAX

Specifications:

- Display:** 9" day-light viewing color LCD (1100 nits)
Display resolution: 800 x 480 pixel (WVGA)
GPS Receiver & Ant.: 72 CH GPS/GLONASS receiver with embedded antenna
Fix accuracy & update: 2m CEP, 10Hz update rate
Touch-screen: Capacitive type, multi-touch available for Map zoom function
Chart format: C-MAP cartography compatible, MAX and 4D micro SD card
 Navionics cartography is also compatible, you can select C-MAP or Navionics by menu settings
Micro SD card type: SDHC 3.0, maximum capacity 32 GB (FAT32) for user micro SD card
Waypoint & Route 1,000 routes each having 50 Waypoints
Track point: 30,000 points
Event mark: 30,000 points
Data Interface: NMEA2000x1, NMEA0183x2, External GPS antenna 6 pins port
Wireless LAN: Built-in Wi-Fi link is available to connect network for smart phone and firmware update
 Mirror control or remote Monitor Display
NMEA0183 Output: Total 22 sentence are selectable ; AAM, APB, BOD, BWR, DBT,DPT, GGA, GLL, GNS, GSA, GSV, HDG, HDT, MTW, MWV, RMA, RMB, RMC, RTE, THS, TLL, VDR, VHW, VTG, WPL, XTE, ZDA
Waterproof: IPX6
Power requirement: 10-35 V DC, 25W
Weight: 3.3 kg with mounting bracket
Operating Temperature: -10°C~ +60°C
Storage temperature: -20°C~ +80°C

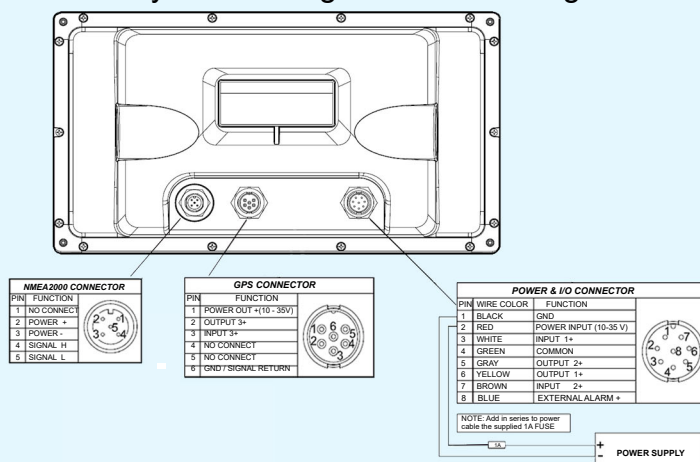
Note: Specifications are subject to change without notice or obligation.

Dimensions (mm)



1"-14 Threads for Marine Antenna pole

System Configurations & Wiring



Standard Equipment

- (1 pc. Each, except as specified)
- NP-90MAX Main Unit
- Operation manual
- Power & IO cable
- Mounting Bracket with 2 pcs. Knob
- Panel mount template
- Optional GPS antenna equipment
- GPS/GLONASS smart antenna with 15m cable (GSG-M8)