



Model V-90P MAX



Optional Smart Antenna
M8-28 GPS/Glonass



C-MAP or NAVIONICS Micro SD can be used

Built-in GPS Antenna as standard

Featuring:

9-inch WVGA (800 x 480 pixel) daylight-viewing (1110 nits) LED-backlit TFT color LCD

5 Screen PAGE mode are selectable: Full MAP screen, Full Fish Finder screen, MAP screen + Fish finder screen, Satellite monitor screen and Engine monitor display.

Chirp fish finder transceiver is built-in as standard model connecting with several kind of CHIRP transducers (300W – 1000kW). Operating frequency is available 3 type of Low, Middle and High frequency range. Standard (Non-CHIRP type) transducer is also operating with Echonautics, AIRMAR and Radarsonics.

Touchscreen Full-control of V-90P MAX Menu selection, MAP zoom function, FF display and transducer selection etc. Tap, Long tap, Pan for pinch in/out, rotate, swipe, two figure swipe, three fingers swipe control are available.

Digital rotary encoder is possible to easy and quickly control of desired menu or MAP zoom in/out or fish finder range scale selection.

Customize function keys of F1, F2 and F3 are user defined shortcut customized by menu setting.

Databox window customization is possible to select user favorite 6 combination databox from 31 selectable data menu, Fix position, Bearing, SOG, COG, Steering, TTG, Date and time etc.

AIS target overlay on MAP display and CPA alarm and TCPA alarm can be set to closest AIS target.

Multi-Language menu selection for English, Italian, French, Spanish, Greek, Croatian, Turkish, Japanese, Simplified Chinese, Traditional Chinese, Portuguese, Norwegian, Finnish

Large capacity of Waypoint and Event mark for marking important point can be displayed and saved to user micro SD card memory

Built-in wireless LAN facility make possible to connect Wi-Fi spot to control display screen using Smart phone free application of "MIRROR CONTROL" or captaincloud.com.

Card slot is used for C-MAP or NAVIONICS Cartography micro SD card or user micro SD card

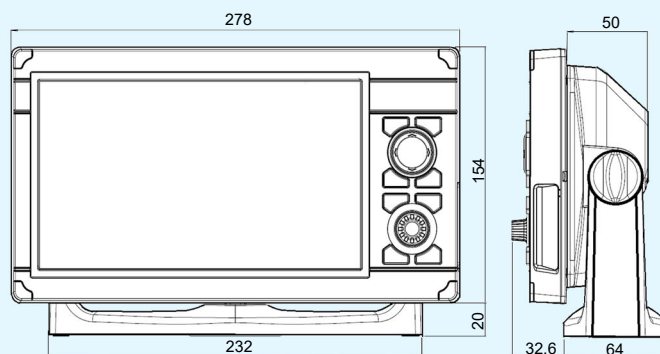
Model V-90P MAX

Specifications:

- Display:** 9" day-light viewing color LCD (1100 nits)
Display resolution: 800 x 480 pixel (WVGA)
GPS Receiver & Ant.: 72 CH GPS/GLONASS receiver with embedded antenna
Fix accuracy & update: 2m CEP, 10Hz update rate
Touch-screen: Capacitive type, multi-touch available for Map zoom function
Chart format: C-MAP cartography compatible, MAX and 4D micro SD card
 NAVIONICS cartography can be used from ver. 5.3.xR firmware installed
Micro SD card type: SDHC 3.0, maximum capacity 32 GB (FAT32) for user micro SD card
Waypoint & Route 1,000 routes each having 50 Waypoints
Track point: 30,000 points
Event mark: 30,000 points
Data Interface: NMEA2000x1, NMEA0183x2, External GPS antenna 6 pins port
Transducer Type: 300W~1kW CHIRP transducer Low/Middle/High Frequency type and standard 600W/1kW
CHIRP Transducer List: AIRMAR B75L, B75M, B150M, B75H, P58, P66, P79, B45, B117, P319, B744V, B258, B260
 CM260, B175L, SS175L, SS75L, SS75M, B785M, B175M, B285M, M135M, P75M, P95M,
 SS175M, TM185M, B175H, SS175H, SS75H, B175HW, M285HW, SS175HW, 185HW
Wireless LAN: Built-in Wi-Fi link is available to connect network for smart phone
 Mirror control or remote Monitor Display
Waterproof: IPX6
Power requirement: 10-35 V DC, 25W
Weight: 3.3 kg with mounting bracket
Operating Temperature: -10°C~ +60°C
Storage temperature: -20°C~ +80°C

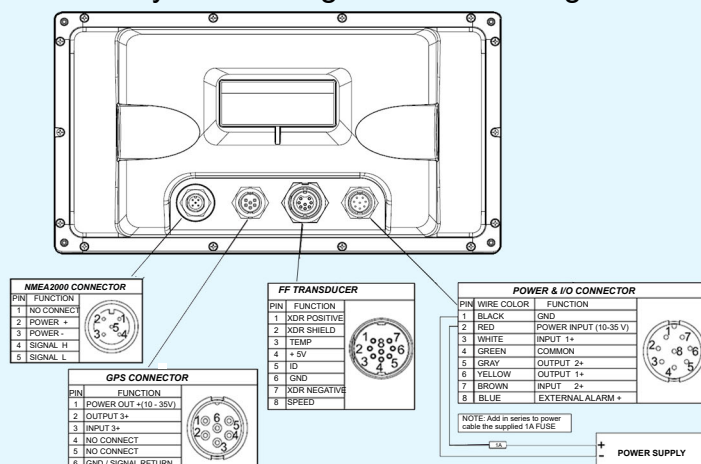
Note: Specifications are subject to change without notice or obligation.

Dimensions (mm)



1"-14 Threads for Marine Antenna pole

System Configurations & Wiring



Standard Equipment

- (1 pc. Each, except as specified)
- V-90P MAX Main Unit
- Operation manual
- Power & IO cable
- Mounting Bracket with 2 pcs. knob
- Panel mount template

Optional equipment

- M8-28 GPS/GLONASS smart antenna with 15m cable (GSG-M8)

Optional Transducers

- CHIRP Transducer 600W L/M/H
- 1kW L/M/H