



## 15 inch High Resolution Fish Finder Model V-1502

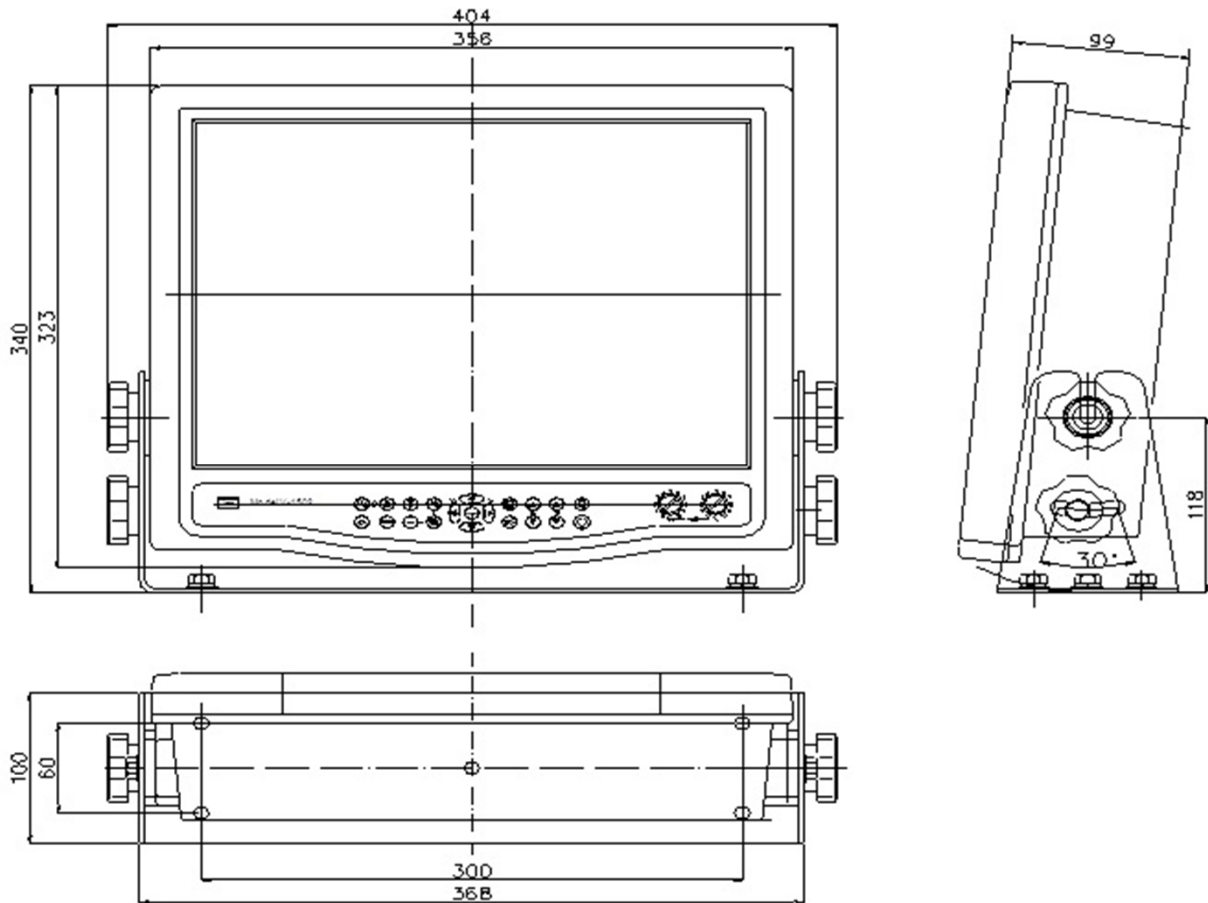


### Featuring:

- Dual-Frequency professional fish finder equipped with a 15 inch XGA LCD Display
- Fully automatic operation (AUTO mode) is available for bottom tracking (automatic range selection and automatic adjustment of receiver gain control)
- 18 selectable main depth range and 15 sub range for suitable fishing
- Higher-than-normal sounding rates for enhanced fish detection capability at shallow depths when traveling at high speeds or when searching for fast-moving target
- Bottom-locked expansion function to easily discriminate bottom-feeding fish from the seabed contour or to survey the nature of bottom in greater detail

## Specifications:

Display Screen:	15 inch XGA 1024 x 768 dot Color TFT LCD with LED backlit
Echogram color	16 echogram color presentation with 5 selectable background color
Operating Frequencies:	Dual-Frequencies combination from 28kHz, 50kHz or 200 kHz
Transmit Power	1kW (50/200KHz), 2kW (50/200KHz), (28/200KHz), (28/50KHz)
Depth Ranges:	3.0 to 2000m, 3.0 to 2000FM, 3.0 to 2000BR, 10 to 7000FT
Mode of operation	Auto Mode (Range and Gain) or Manual mode
Velocity standard	2 selectable velocity for sea-water (1500 m/s) or freshwater
Position Display:	External GPS position display
Alarm	Bottom alarm (Shallow or Deep), Fish alarm
External Interface:	RS-422 and 8-pin NMEA0183 connector
Output:	Real-time output of sounding data along with GPS-derived information from external GPS source
Input data	\$GPRMC, GPGGA, \$GPVTG,
Output data	\$SDDPT (Depth), \$WIMTW (Temperature)
Cabinet size	356mm (W) x 323mm (H) x 98.5mm (D)
Display unit Weight:	4.5 kg Main unit, 1.5 kg Mounting bracket
Power Requirements:	11 - 40VDC, floating ground approx.36W



NOTE: Specifications are subject to change without notice or obligation.

**Jmc** Japan Marina Co., Ltd.

36-2-1001 Udagawa-cho, Shibuya-ku, Tokyo 150-0042, Japan  
Phone: +81-3-3461-3606 / Fax: +81-3-3496-2078  
E-mail: sales@japan-marina.co.jp  
Website: www.japan-marina.co.jp

